


PRODUCT SHEET

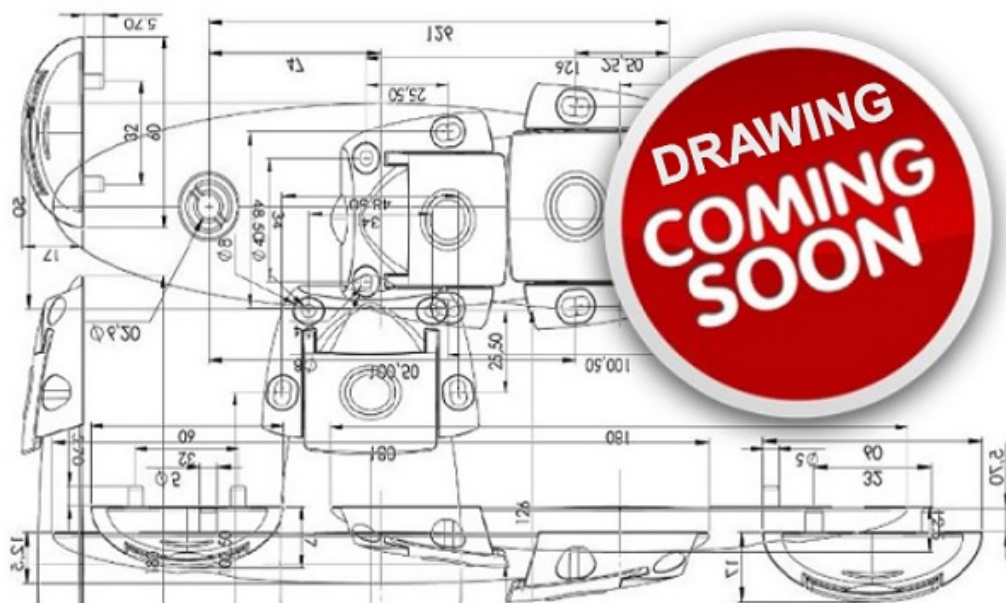
Description:

Multi-Grooved Beech Dowel $\varnothing 12 \times 50$ mm

Item number:

11.06.357-3

Units	Box	Carton	HS Code	Barcode
Pcs.		2500	9403910090	 5704866014526



SISO A/S
Mileparken 11
DK-2740 Skovlunde
Denmark
VAT: DK 24786013

Phone +45 45 830 900
www.siso.dk
siso@siso.dk

Danske Bank
Nytorv Branch
Copenhagen
SWIFT: DABADKKK

Account no.
4180 3112 112936
IBAN Account
DK7230003112112936